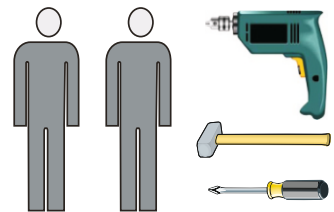
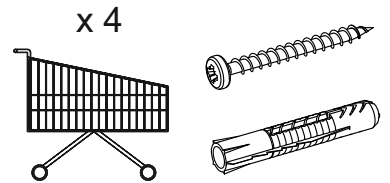
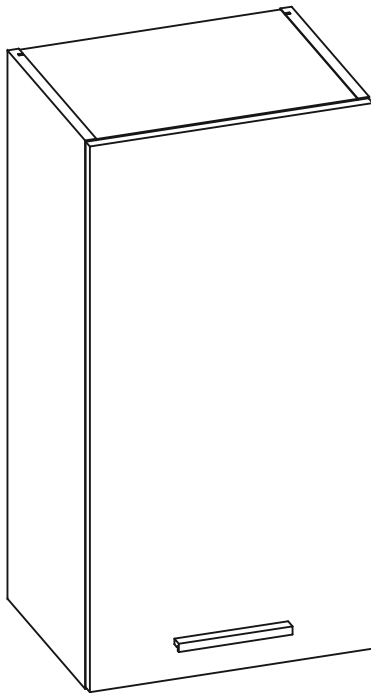


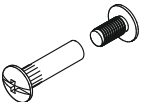




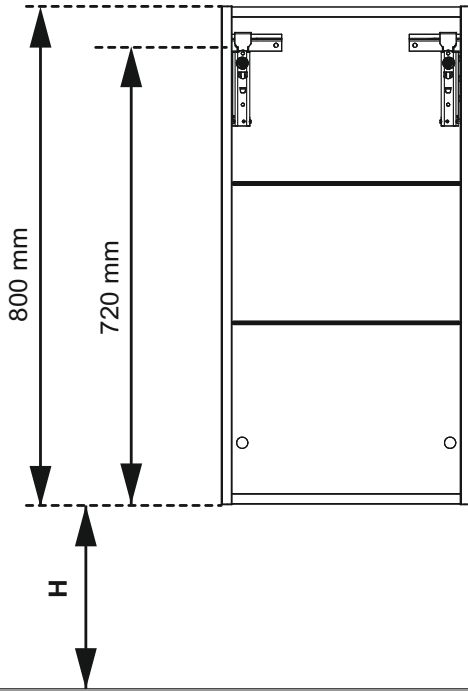


# KWADRO PLUS 40 1D

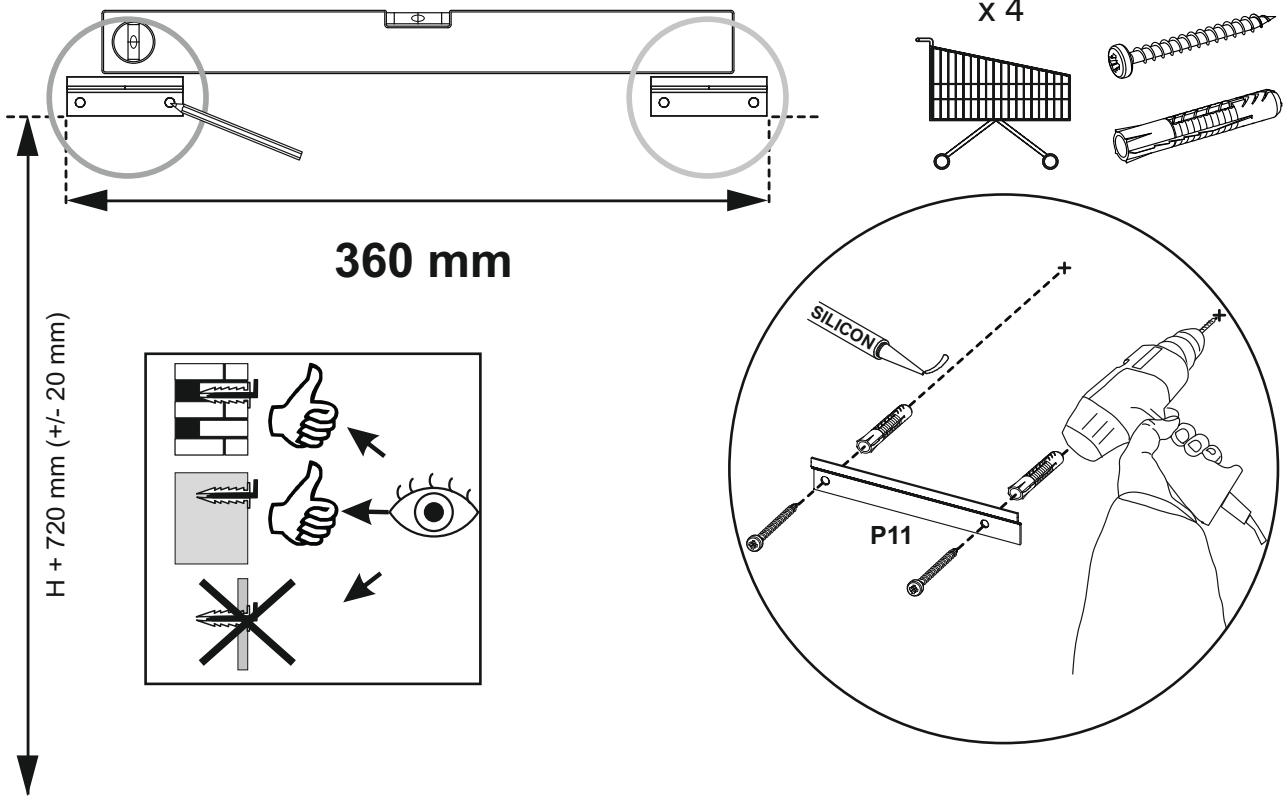


	<b>P0</b>	<b>P1</b>	<b>X</b>
			
	$\varnothing 5$	$\varnothing 8$	
	x 22	x 4	x 1
<b>H-160</b>	<b>K1</b>	<b>P2</b>	<b>P11</b>
			
L=160mm	M4x20	$\varnothing 18$	
x 1	x 2	x 4	x 2

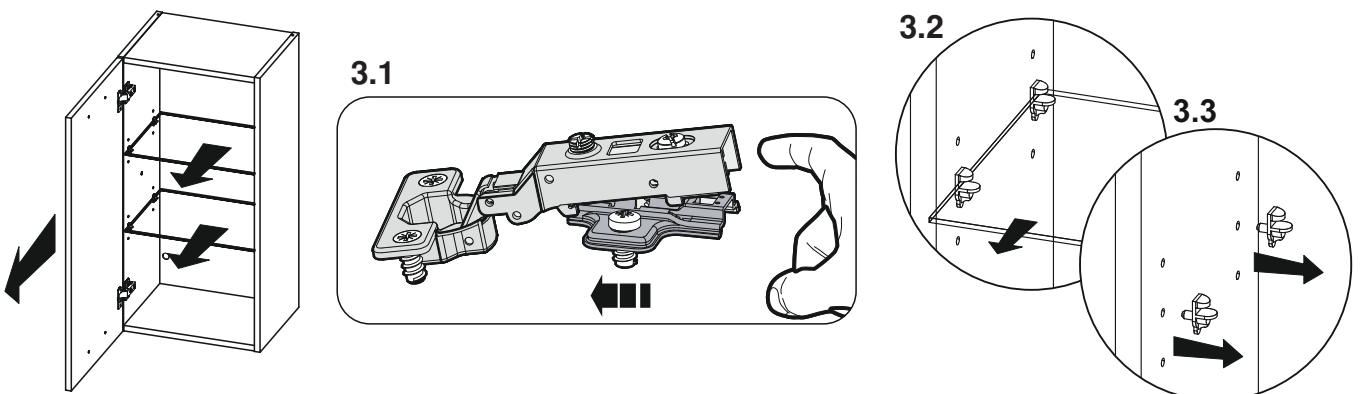
01.



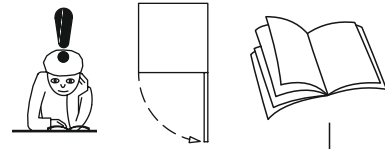
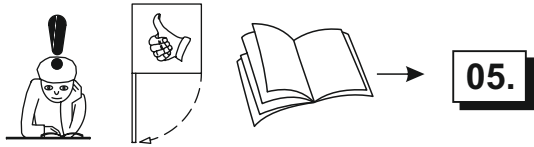
02.



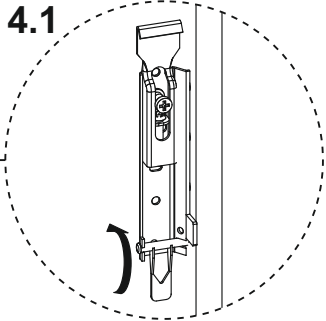
03.



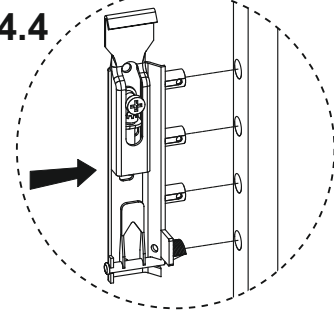
04.



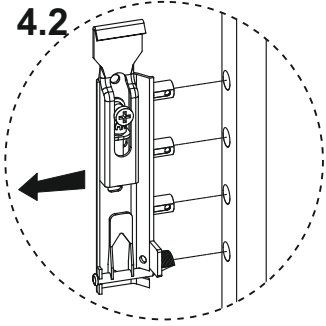
4.1



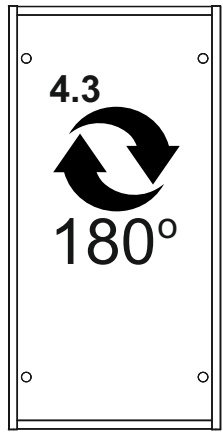
4.4



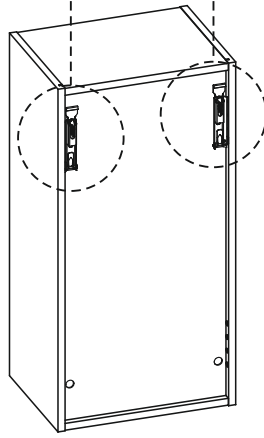
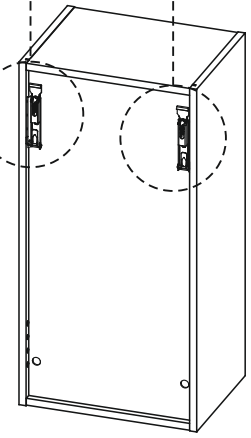
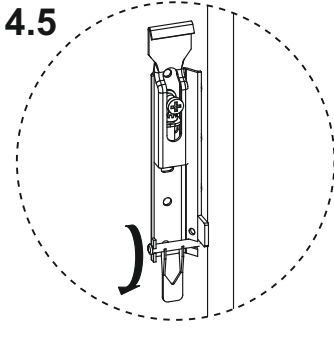
4.2



4.3

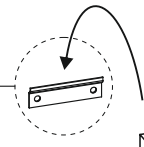


4.5

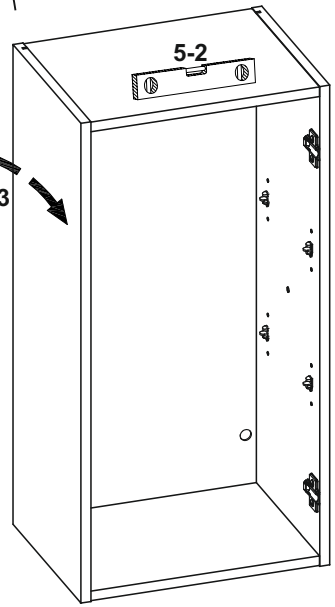


05.

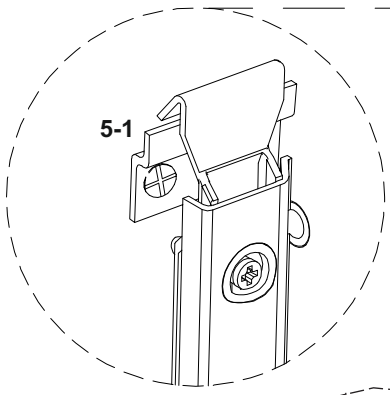
5-1



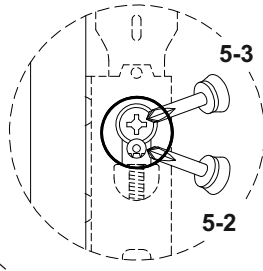
5-2



5-1



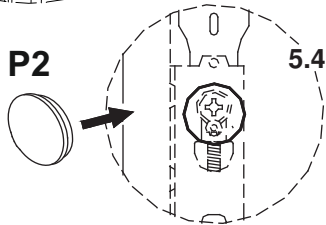
5-3



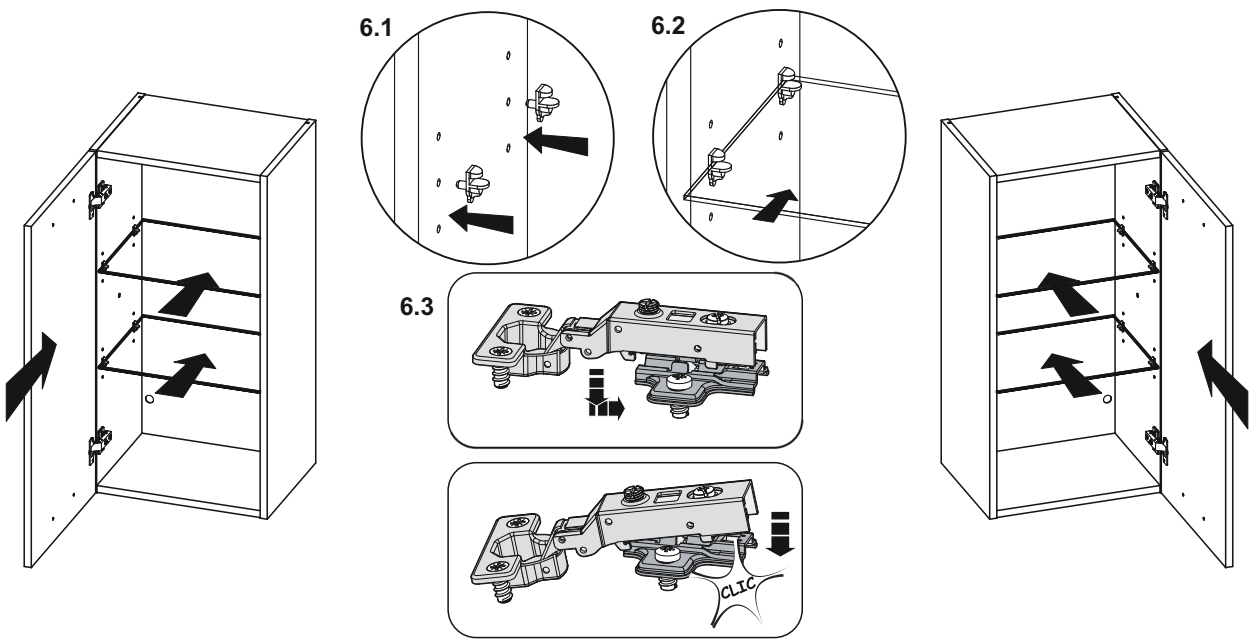
5-2

P2

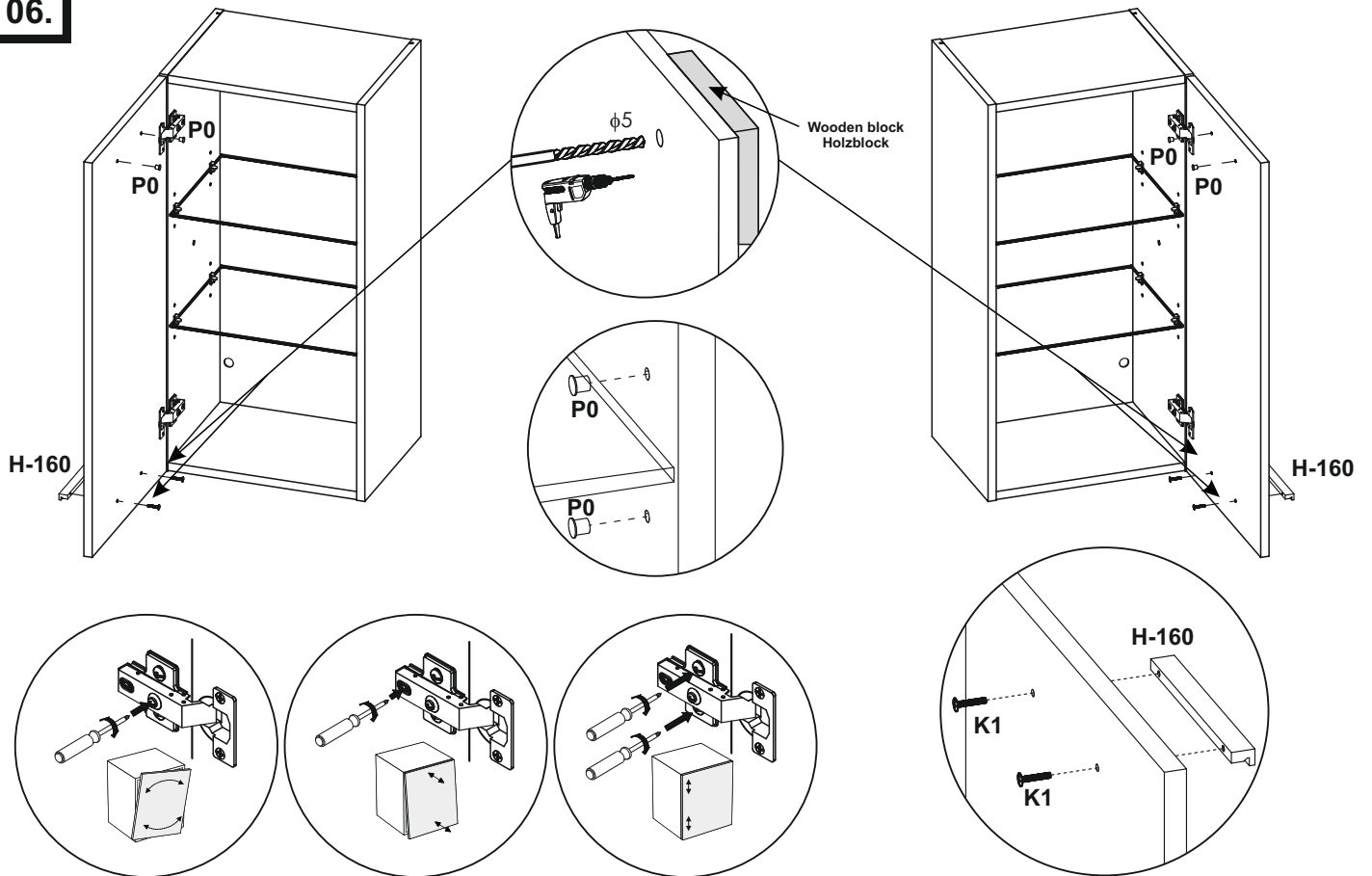
5.4



06.



06.



07.

